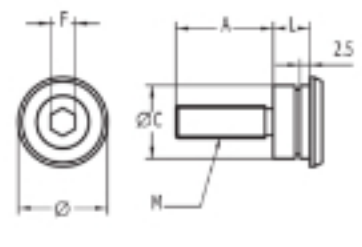
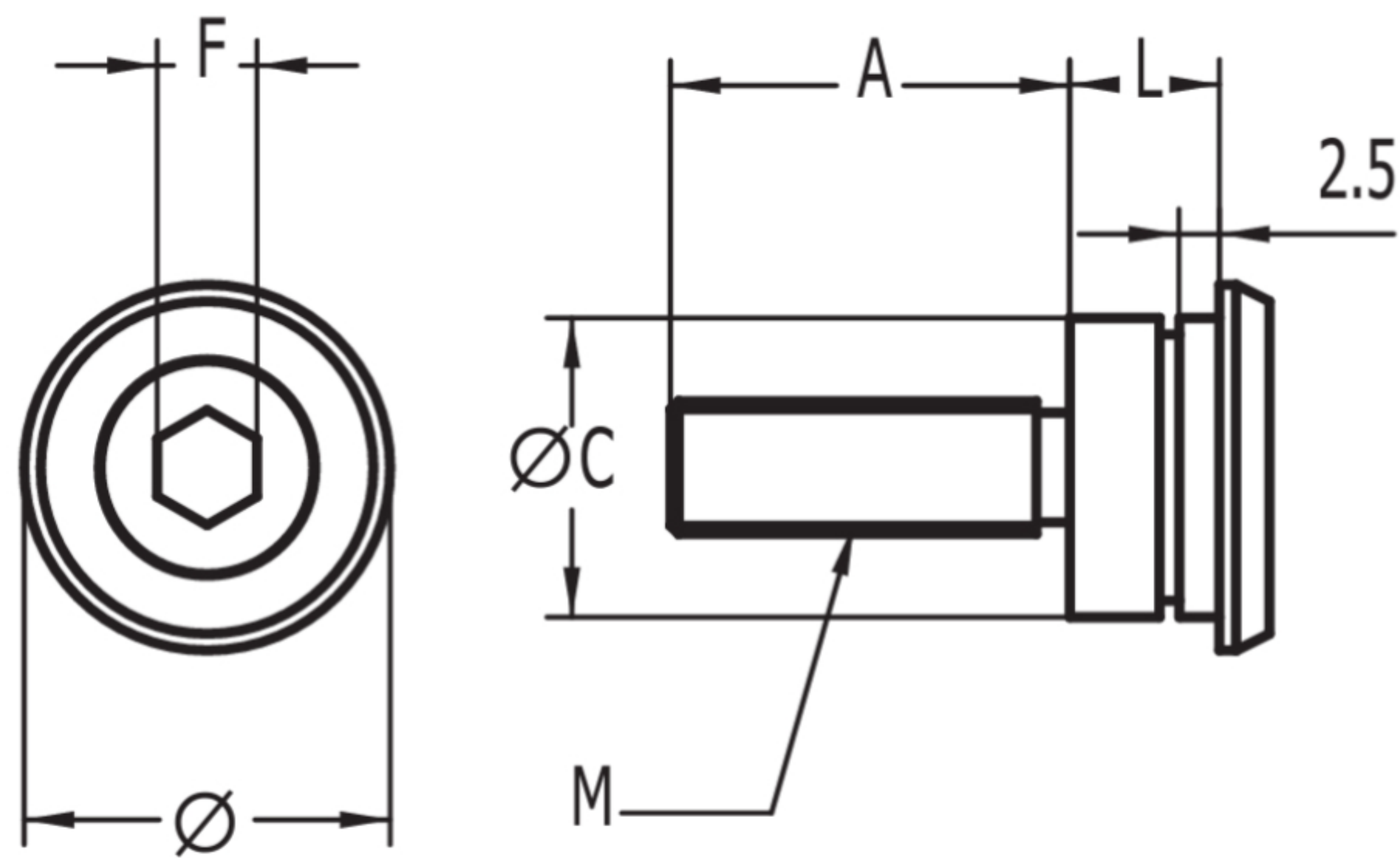
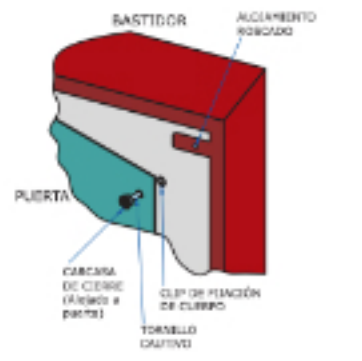
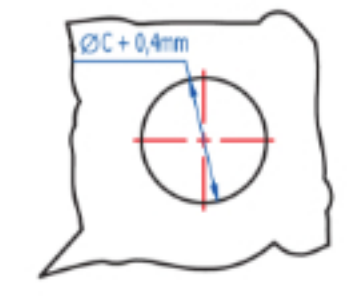


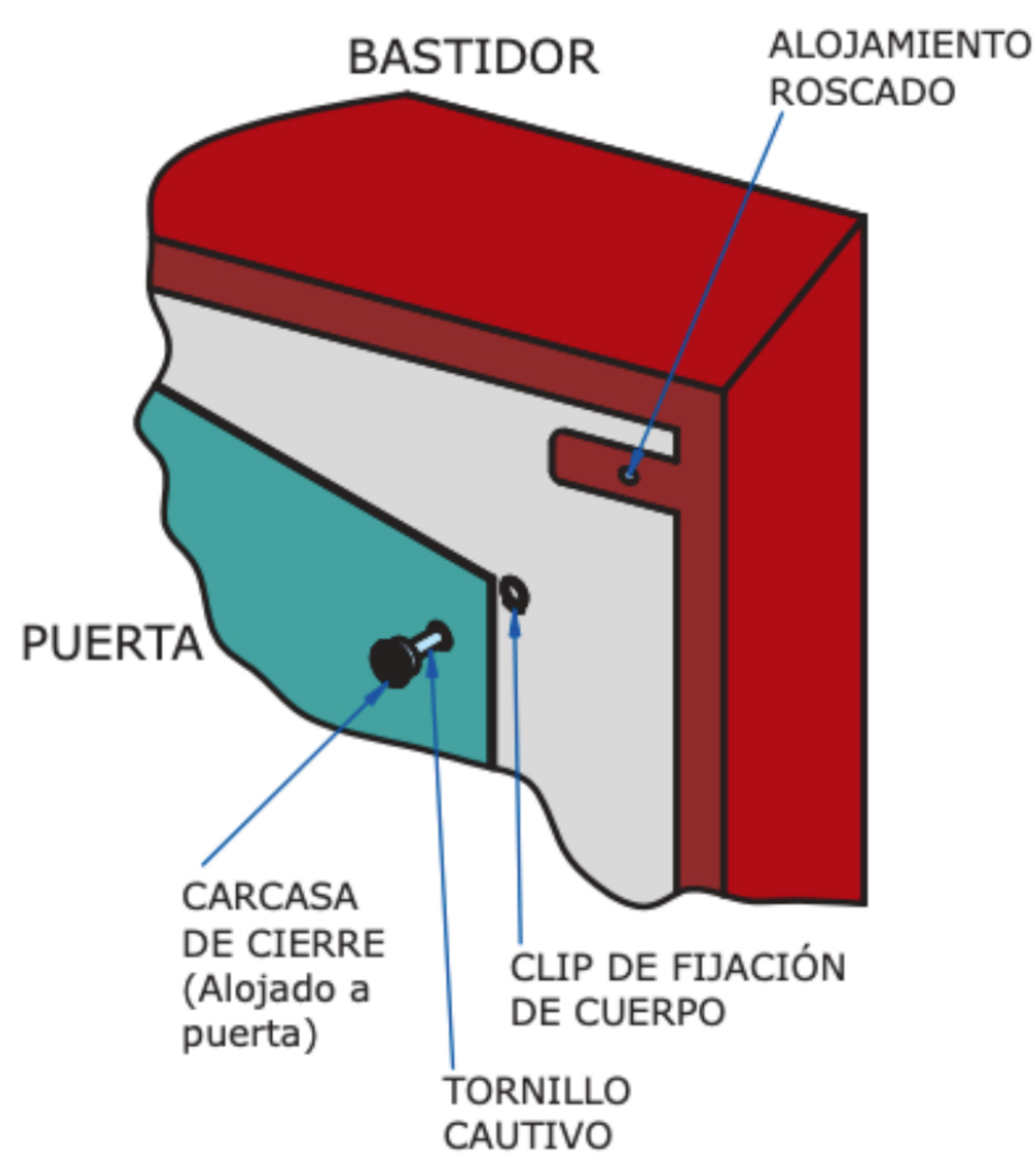
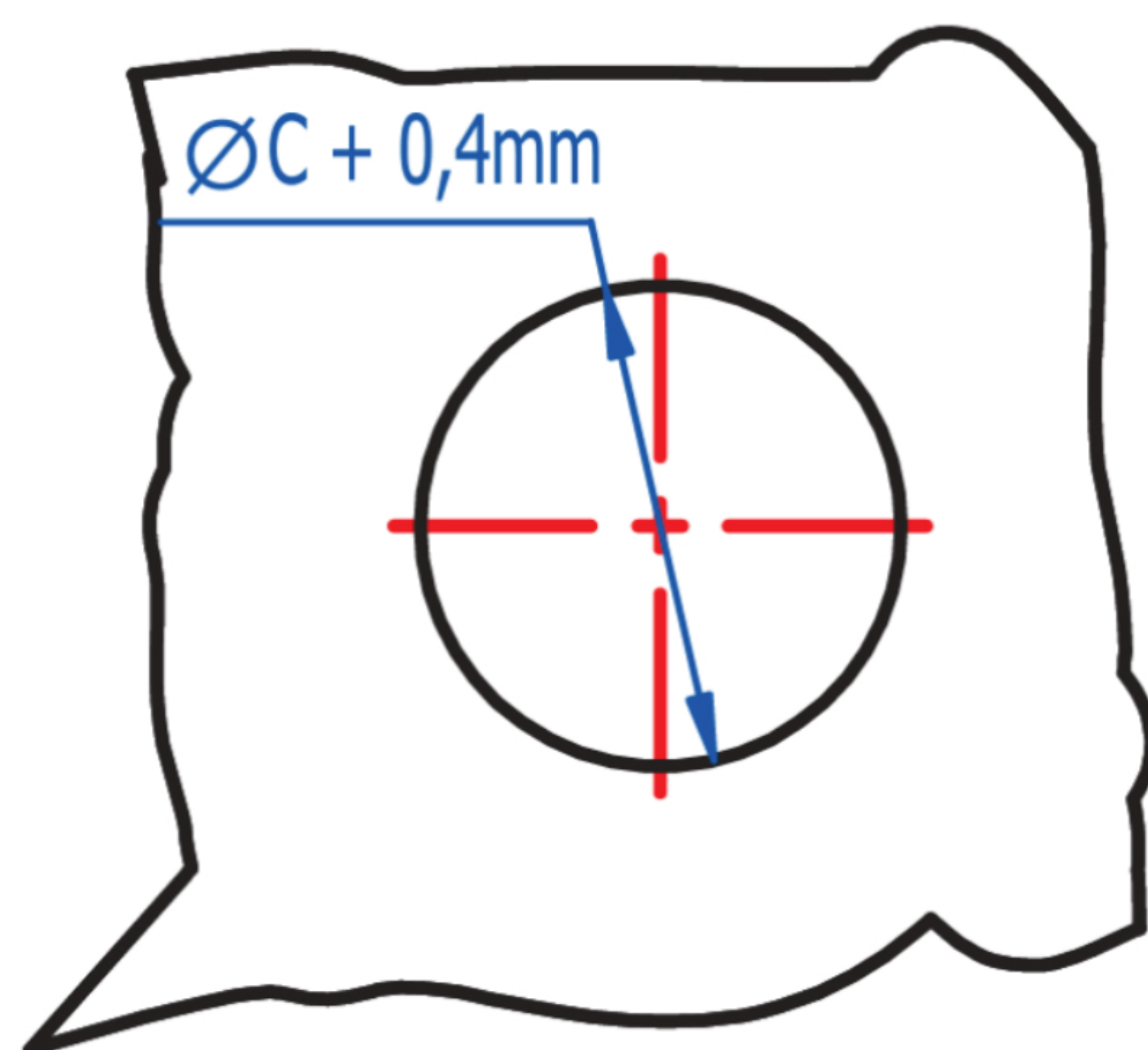
Home > General Industry > Locking systems > Latches and locks > Various > [Various Lock Captive Screw 198](#)



Dimensiones del orificio



Dimensiones del orificio



Various Lock Captive Screw 198

Captive screw for cabinet doors and side panels. The screw is fixed in the door with a circlip.

AGA supplies as standard A=25mm. Further measurements upon request.

KEY FORM	F= Hexagon de 5 mm
MATERIAL	Captive screw in steel, Brass body
FINISH	Nickel-plated
SCREW	M6 screw (M)
FEATURES	A = 20 mm A = 25 mm A = 40 mm A = 55 mm
DIAMETER	Ø 17 mm / L = 6,5 mm / Ø C = 13 mm
WEIGHT(grs)	14
LOCKING DIRECTION	90° Left / 90° Right
ACCESORIES	Circlip 13 DIN-471 E
KEY	-

Categories: [General Industry](#), [Latches and locks](#), [Locking systems](#), [Various](#)

