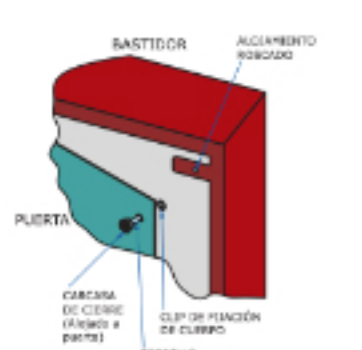
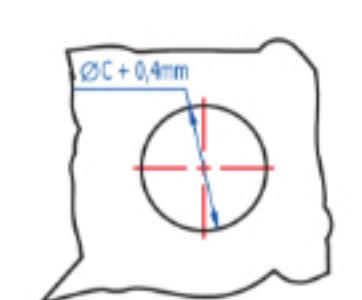


Dimensiones del orificio



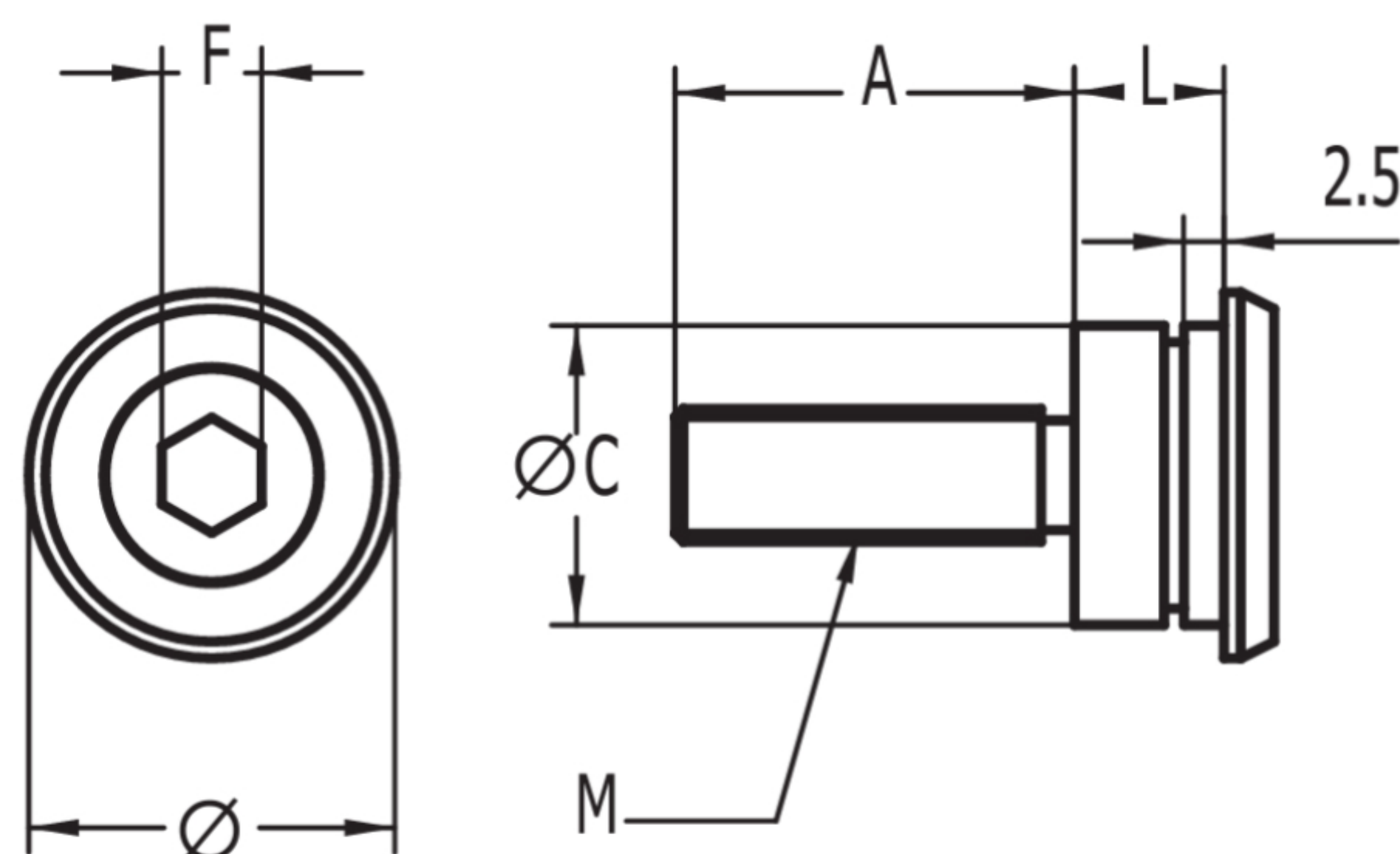
Various Lock Captive Screw 198G

Captive screw for cabinet doors and side panels. The screw is fixed in the door with a circlip.

AGA supplies as standard A=25mm. Further measurements upon request.

KEY FORM	F= Hexagon de 5 mm
MATERIAL	Captive screw in steel, Brass body
FINISH	Nickel-plated
SCREW	M8 screw (M)
FEATURES	A = 25 mm A = 45 mm A = 55 mm
DIAMETER	Ø 22 mm / L = 9 mm / Ø C = 18 mm
WEIGHT(grams)	32
LOCKING DIRECTION	90° Left / 90° Right
ACCESORIES	Circlip 17 DIN-471 E
KEY	03016HM

Categories: [General Industry](#), [Latches and locks](#), [Locking systems](#), [Various](#)



Dimensiones del orificio

