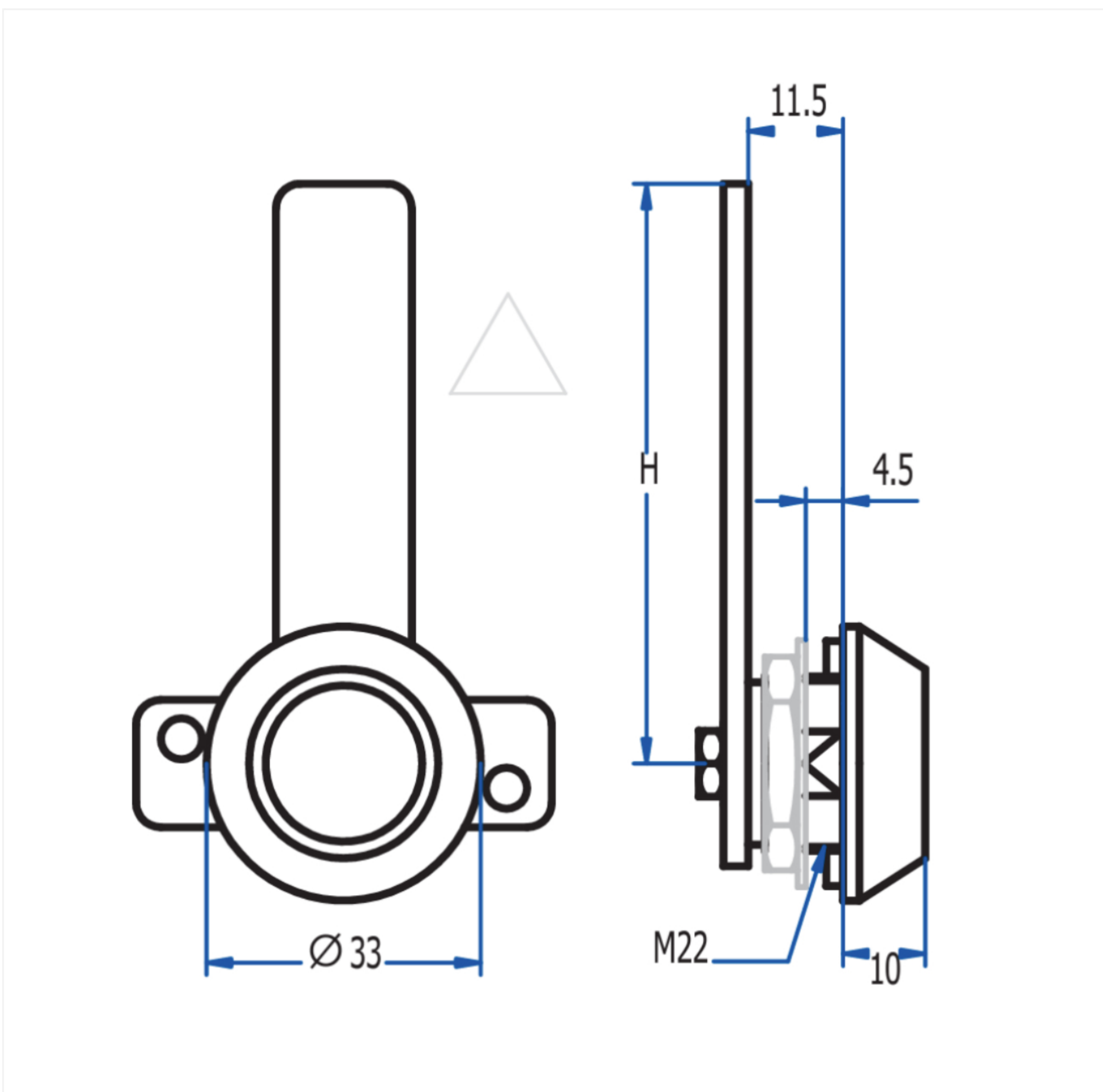
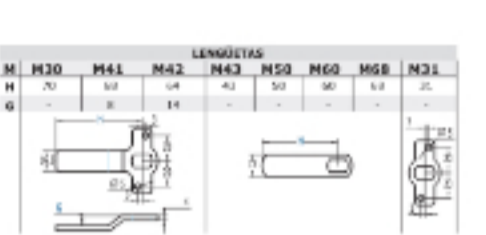
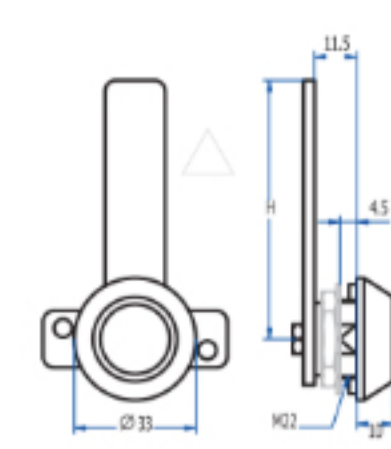
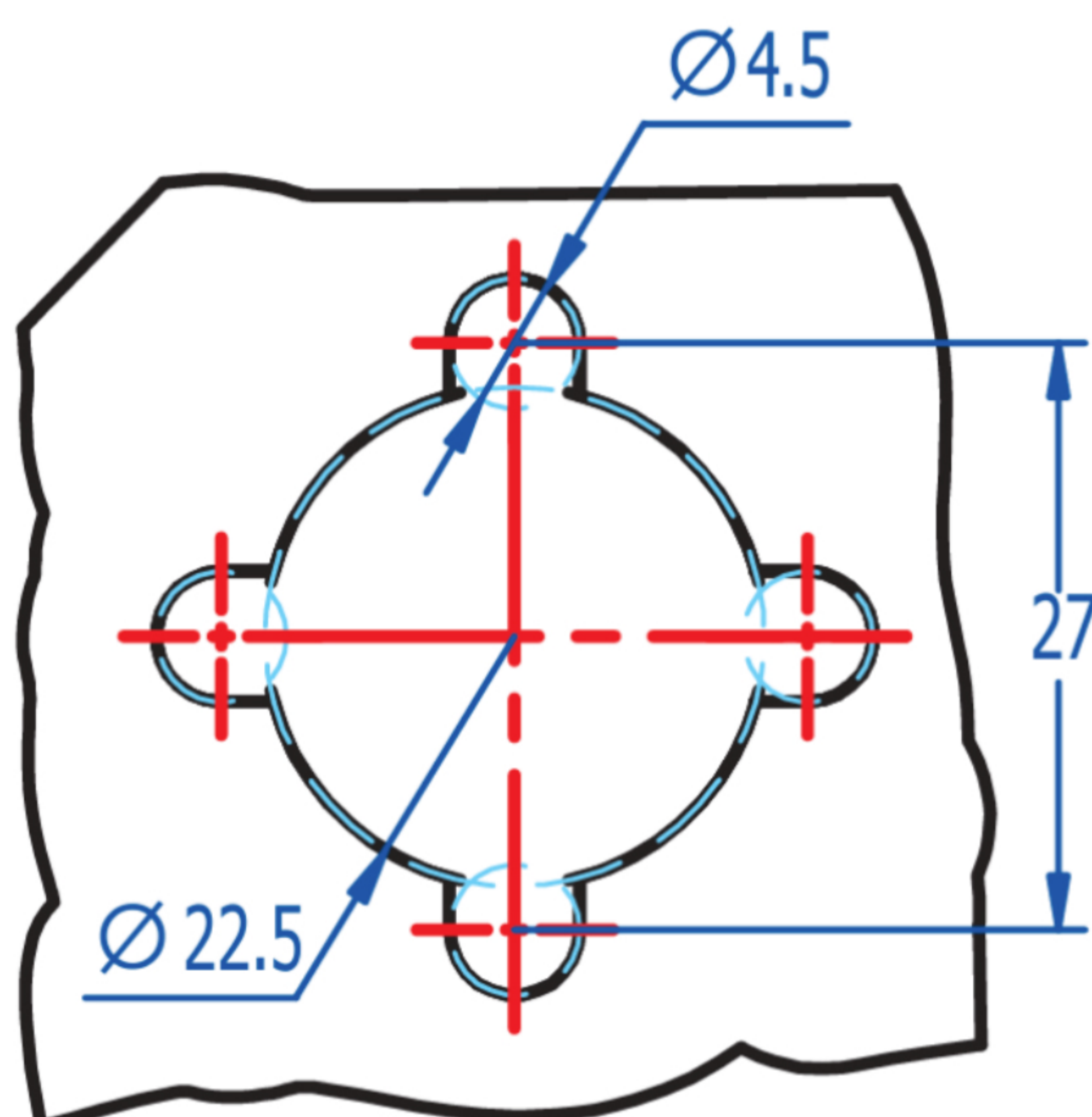


Home > General Industry > Locking systems > Latches and locks > Various > [Various Quarter Turn Latches 194C](#)



Dimensiones del orificio



LENGÜETAS								
M	M30	M41	M42	M43	M50	M60	M68	M31
H	70	68	64	43	50	60	68	31
G	-	8	14	-	-	-	-	-

Various Quarter Turn Latches 194C

Quarter turn latches for large doors and with several locking positions.

AGA supplies as standard the latch with M30 cam for triple locking points, chromium plated and without key. 10mm is the standard measurement for triangular and square key form latches.

KEY FORM	Square 6 mm Square 7 mm Square 8 mm Square 10 mm
MATERIAL	Zamak
FINISH	Zamak, Black
WEIGHT(grams)	134
LOCKING DIRECTION	90° Left / 90° Right
ACCESORIES	M22 Nut, M22 metallic washer, M22 anti turn washer
KEY	3018C

Categories: [General Industry](#), [Latches and locks](#), [Locking systems](#), [Various](#)

